

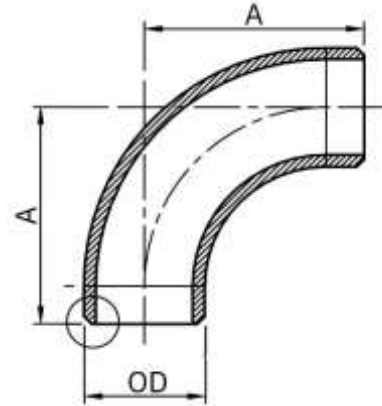
LONG RADIUS 90 DEGREE ELBOW

ANSI B16.9

Buttweld, SCH40

90/10 Copper Nickel (UNS C70600)

70/30 Copper Nickel (UNS C71500)



DIMENSIONS				
NOMINAL PIPE SIZE	OD	A	WEIGHT (lb)	TORK P/N 90/10
1/2	0.840	1.94	0.10	Inquire
3/4	1.050	1.59	0.10	Inquire
1	1.315	2.00	0.20	M109600
1 1/4	1.660	2.44	0.30	M109601
1 1/2	1.900	2.94	0.50	M109602
2	2.375	3.72	0.80	M109603
2 1/2	2.875	4.63	1.00	M109604
3	3.500	5.41	2.00	M109605
3 1/2	4.000	6.25	3.00	M109606
4	4.500	6.97	5.00	M109607
5	5.563	8.59	9.00	M109608
6	6.625	10.17	15.00	M109609
8	8.625	13.38	34.00	M109610
10	10.750	16.56	67.00	Inquire
12	12.750	19.69	96.00	Inquire
14	14.000	21.50	120.00	Inquire
16	16.000	24.25	157.00	Inquire
18	18.000	27.50	197.00	Inquire
20	20.000	30.50	243.00	Inquire
22	22.000	33.50	294.00	Inquire
24	24.000	36.50	350.00	Inquire
30	30.000	45.50	544.00	Inquire
36	36.000	54.50	781.00	Inquire

The information provided is presented "as-is" at time of publication and is intended for reference purposes only.

Designs, specs information may be altered at any time without notice.