

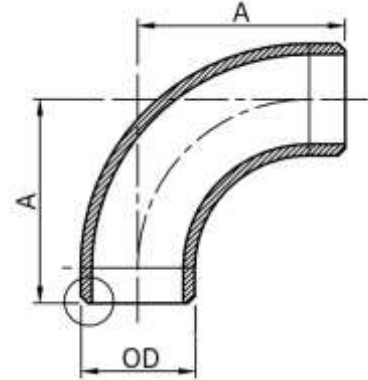
LONG RADIUS 90 DEGREE ELBOW

ANSI B16.9

Buttweld, Schedule 40

5086 Aluminum

6061 Aluminum



DIMENSIONS					
NOMINAL PIPE SIZE	OD	A	WEIGHT (lb)	TORK P/N 5086	TORK P/N 6061
1/2	0.840	1.94	0.10	M127374	M127273
3/4	1.050	1.59	0.10	M127375	M127274
1	1.315	2.00	0.20	M127376	M127275
1 1/4	1.660	2.44	0.30	M127377	M127276
1 1/2	1.900	2.94	0.50	M127378	M127277
2	2.375	3.72	0.80	M127379	M127278
2 1/2	2.875	4.63	1.00	M127380	M127279
3	3.500	5.41	2.00	M127381	M127280
3 1/2	4.000	6.25	3.00	M127382	M127281
4	4.500	6.97	5.00	M127383	M127282
5	5.563	8.59	9.00	M127384	M127283
6	6.625	10.17	15.00	M127385	M127284
8	8.625	13.38	34.00	M127386	M127285
10	10.750	16.56	67.00	Inquire	Inquire
12	12.750	19.69	96.00	Inquire	Inquire
14	14.000	21.50	120.00	Inquire	Inquire
16	16.000	24.25	157.00	Inquire	Inquire
18	18.000	27.50	197.00	Inquire	Inquire
20	20.000	30.50	243.00	Inquire	Inquire
22	22.000	33.50	294.00	Inquire	Inquire
24	24.000	36.50	350.00	Inquire	Inquire
30	30.000	45.50	544.00	Inquire	Inquire
36	36.000	54.50	781.00	Inquire	Inquire

The information provided is presented "as-is" at time of publication and is intended for reference purposes only.

Designs, specs information may be altered at any time without notice.